

PALOMBA COLLECTION FURNITURE

Drawer element

40630.6

40631.6

40632.6

40633.6

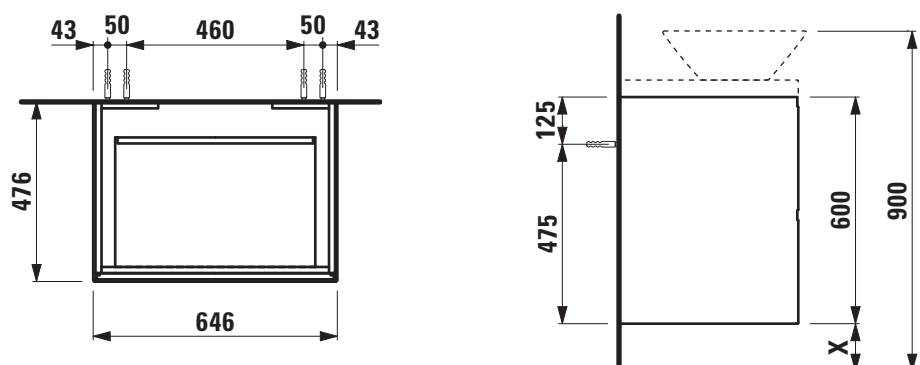
40634.6



TECHNICAL DATA

Order no.	40630.6 / 2 drawers 40631.6 / 2 drawers, 1 socket (CH) 40632.6 / 2 drawers, 1 socket (EU) 40633.6 / 2 drawers, LED, 1 socket (CH) 40634.6 / 2 drawers, LED, 1 socket (EU)	Mounting information	The walls installed on must meet the requirements of the furniture in terms of weight and the supplied fastening elements. If this cannot be guaranteed another method of installation needs to be chosen. 230V power supply required (only for drawer element with socket/LED).
Dimensions (WxHxD)	646 x 600 x 476 mm	Colours	220 – White 221 – Common pear light 222 – Cherry Vermont dark 223 – Stone grey
Specification	Body/Front – MDF board with PVC foil Integrated handle on the top of the drawers Without top for mounting under washtop or washtop with washbasin		
Weight	30,0 kg		
Accessories excl.	Drawer separations, order no. 49030.1 Towel rail, chromed, order no. 49095.2		
Mounting acc. incl.	Installation set, order no. 49033.2 Space saving siphon, order no. 89424.0		

TECHNICAL DRAWINGS / S 1 : 20



X = The exact height must be set during installation.