

D

C

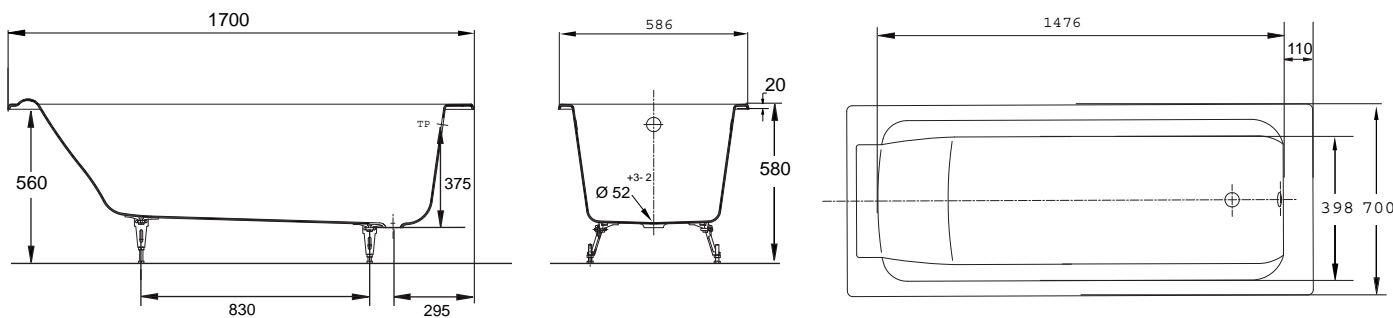
B

A

DWG REVISION RECORD

REV	AVIS	REP	BY	DESCRIPTION	DATE
			CJ		

ALL DIMENSIONS IN: MM [INCH]



TOLERANCES GENERALES
SAUF SPECIFIEES
TOLERANCES UNLESS
OTHERWISE SPECIFIED

LINEAR ±0,5
ANGULAR ± 1°

DO NOT SCALE DRAWING

KOHLER

KOHLER FRANCE, 10000 TROYES

PRO/E WILDFIRE 2.0

FIRST ANGLE PROJECT

PART NAME:

NONE

SCALE

1/10

FOR
MAT
1/1

DRAWN BY
C JAQUINET

DATE
20/11/2008

CHECKED BY
V GIOVANNI

APPROVED BY
JF HUGER

PRODUCT

BAIN

PROJECT

PARALLEL

THIS DRAWING IN DESIGN
AND DETAILS IS THE
PROPERTY OF KOHLER CO.
AND MAY NOT BE USED
EXCEPT IN CONNECTION
WITH KOHLER CO. WORK.
ALL RIGHTS OF DESIGN OR
INVENTION ARE RESERVED.

DESCRIPTION

Baignoire fonte émaillée

DWG N°

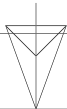
E2947

D

C

B

A



8

8

7

6

5

4

3

2

1